



## SYNCHRONOUS BELT T20

| Width in Millimeters (mm) | 10 | 12 | 16 | 25 | 32 | 50 | 75 | 100 | 150 |
|---------------------------|----|----|----|----|----|----|----|-----|-----|
|---------------------------|----|----|----|----|----|----|----|-----|-----|

### Toothed Belt T20

|                 |                |
|-----------------|----------------|
| Pitch:          | 20 mm          |
| Max. Width:     | 150 mm         |
| Shore Hardness: | 92° A          |
| Material:       | TPU            |
| Cord:           | Steel / Kevlar |

### Standard Tolerances

|         |           |
|---------|-----------|
| Length: | ±0,8 mm/m |
| Width:  | ±0,8 mm   |
| Height: | ±0,4 mm   |

### Min. requirements for pulleys and roller:

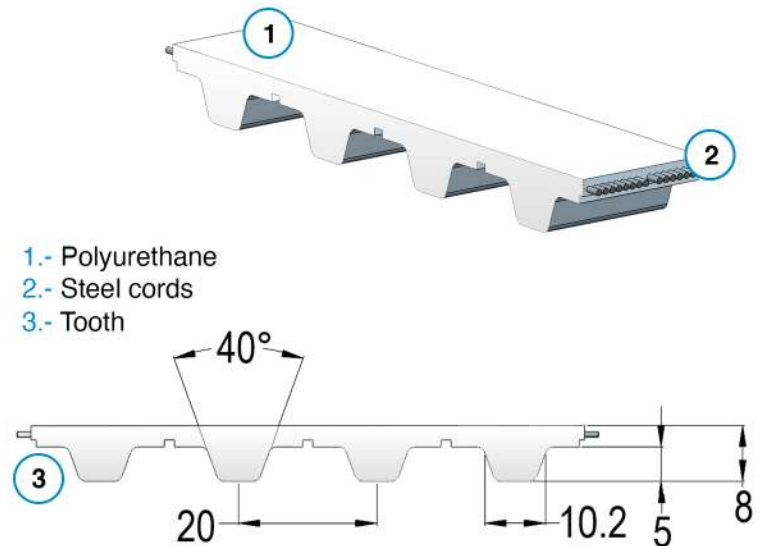
#### No counterflexion

|                          |          |
|--------------------------|----------|
| Min. Number of teeth:    | 15       |
| Min. Diameter:           | 92,64 mm |
| Diameter tension roller: | 120 mm   |

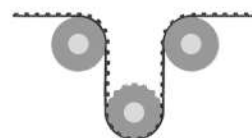
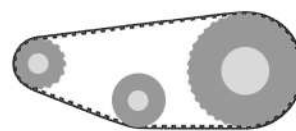
#### With counterflexion

|                          |           |
|--------------------------|-----------|
| Min. Number of teeth:    | 25        |
| Min. Diameter:           | 156,32 mm |
| Diameter tension roller: | 120 mm    |

### Characteristics:



### Use:



Available with Green Fabrics: (PAZ,PAZ/PAR)